

F L O A T T A B L E

inquire@rockpaperrobot.com
www.rockpaperrobot.com
tel. 347.762.6848



coffee table, figured walnut

THE TABLE

It's classical physics applied to modern design.

The Float Table is a matrix of "magnetized" wooden cubes that levitate with respect to one another. The repelling cubes are held in equilibrium by a system of tensile steel cables.

Each handcrafted table is precisely tuned to seem rigid and stable, yet a touch reveals the secret to Float's dynamic character.

The table elastically deforms and stabilizes when external force is applied.



coffee table, mappa burl with copper accents

MATERIALS & FINISHES

Rare earth magnets and stainless steel cables are at the core of the technology. Standard finishes include a variety of woods and colored lacquers, but anything is possible (e.g., metals, images, etc.). We welcome custom length and configuration requests as well.



crotch walnut with gold accent



curly walnut with gold interior faces

SHIPPING & DELIVERY

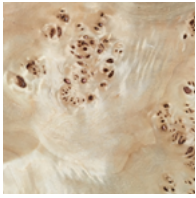
All pieces are handmade in our studio in Brooklyn, NY and ship in custom crates to both domestic and international destinations.

White Glove service facilitated by RPR includes delivery to room of choice, unpacking, inspection, and debris removal at your convenience.

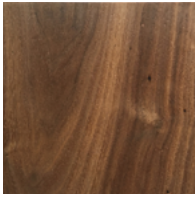
Lead time is 6-8 weeks. Expedited options available.

RPR

FINISH EXAMPLES



mappa burl



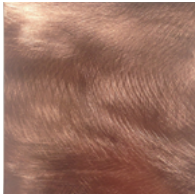
curly walnut



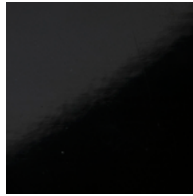
crotch walnut



royal ebony



copper swirl



black laquer (satin)



coffee table, curly walnut



side tables, mappa burl



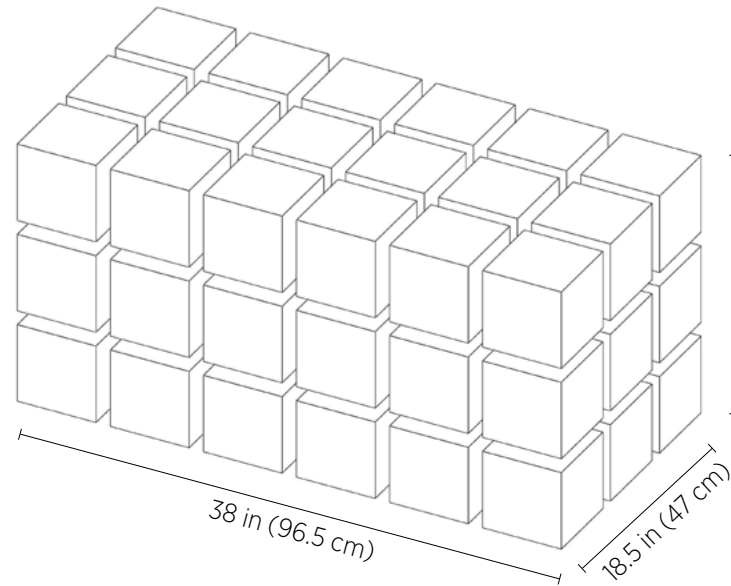
side tables, crotch walnut



curly walnut with gold interior faces and goldfish

DIMENSIONS

coffee table



side table

