

F L O A T S H E L F

inquire@rockpaperrobot.com
www.rockpaperrobot.com
tel. 347.762.6848



Straight shelf, black laquer (satin)

MATERIALS & FINISHES

Rare earth magnets and stainless steel cables are at the core of the Float technology. Standard finishes include a variety of woods and colored lacquers, but almost any custom surface is possible (e.g., metals, images, etc.).

We welcome custom length and configuration requests as well.

THE SHELF

The Float Shelf is a 2D matrix of “magnetized” wooden cubes. The repelling cubes are held in equilibrium by a system of tensile steel cables. The seemingly counterintuitive shelf levitates outward from the wall giving lofty purchase to your worthiest objects.

The shelf elastically deforms and stabilizes when external force is applied.



French walnut



Straight shelf, French walnut

SHIPPING & DELIVERY

All hand-made pieces ship from our studio in Brooklyn, NY. We ship to domestic and international destinations.

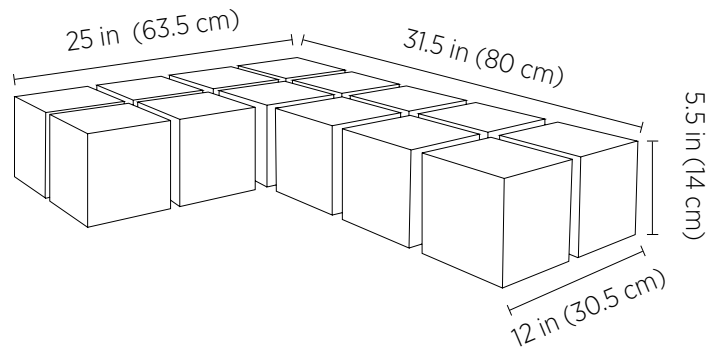
Wall mounting template and installation instructions are included.

The lead time is 4-6 weeks. Expedited options available.

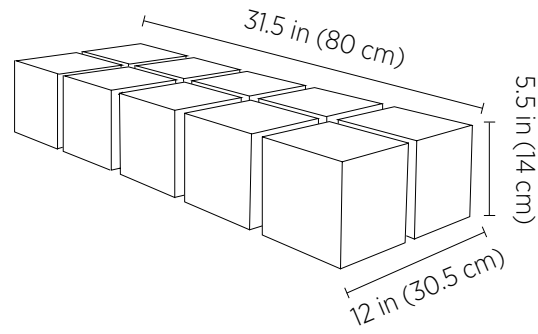
RPR

DIMENSIONS

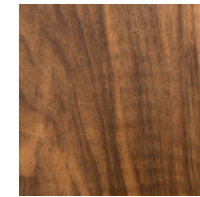
L Shelf



Straight Shelf



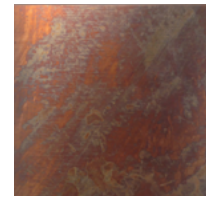
FINISH SAMPLES



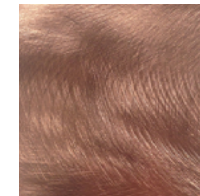
French walnut



tiger walnut



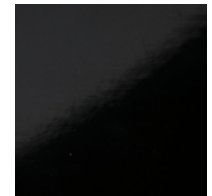
copper aurora



copper swirl



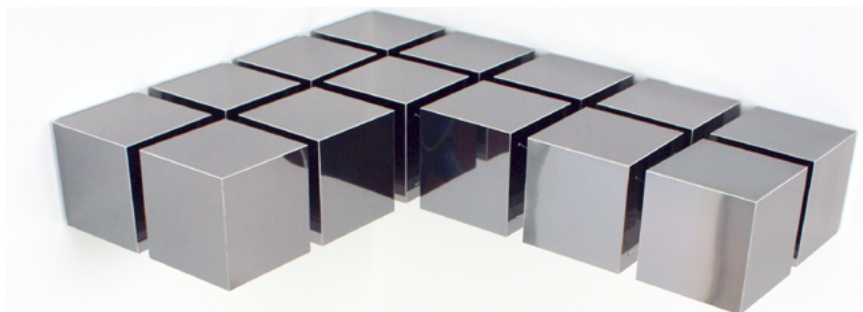
chrome



black laquer



Straight shelf, French walnut



L shelf, chrome



Straight shelf, black laquer (satin)